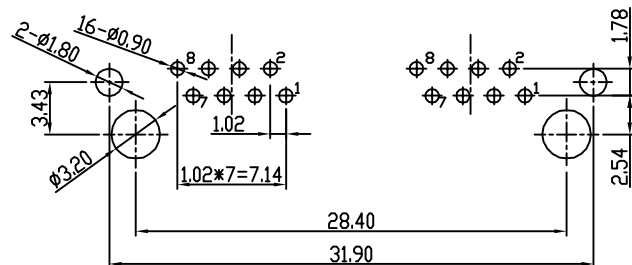
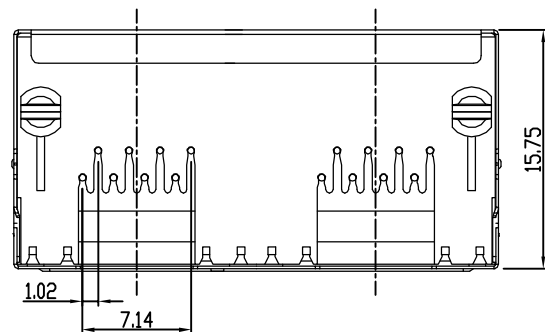
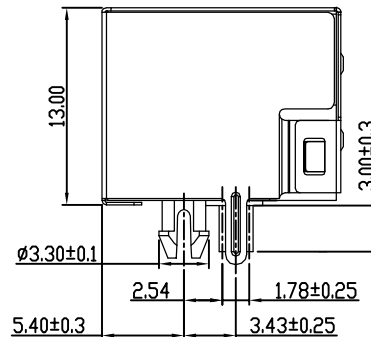
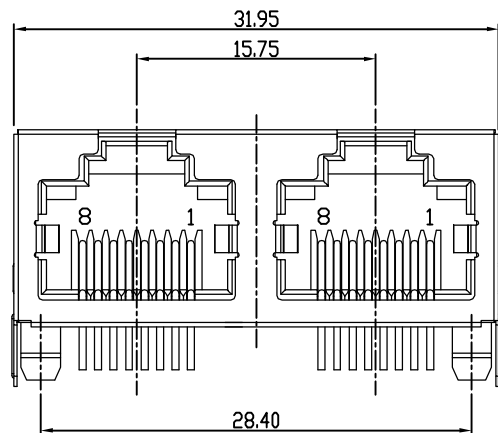


REV.	ECN.NO.	NAME	DATA
A0	NEW	MIN-D	2020-05-22



Recommend PCB Layout
(Jack Top View)
TOLERANCES:±0.05

SPECIFICATION NOTES:

ELECTRICAL:

- VOLTAGE RATING: 125 VAC RMS
- CURRENT RATING: 1.5 AMP
- CONTACT RESISTANCE: 30mΩ MAX.
- INSULATION RESISTANCE: 500MΩMIN. AT 500V DC.
- DIELECTRIC STRENGTH: 1000 VAC 50Hz 1MINUTE

MECHANICAL:

- HOUSING MATERIAL:
SEE PART NUMBER.
- CONTACTS:∅0.46mm PHOSPHOR BRONZE,GOLD PLATING OVER NICKEL
- SHIELD:0.20mm THICKNESS COPPER ALLOY WITH NICKEL PLATED.
- OPERATING LIFE:750 CYCLES MIN.
- MATING FORCE: 30N MAX.
UNMATING FORCE: 30N MAX.

ENVIRONMENTAL:

- STORAGE:-40°C TO +85°C
- OPERATION: -40°C TO +85°C

PART NUMBER:

5J-XX 88 X X X 5-A

1x2: 12

8P8C:88

- Fu": 1
- 1u": 2
- 3u": 3
- 6u": 4
- 15u": 5
- 30u": 6
- 50u": 7

Plating
电镀

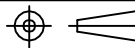
A:无 LED B:左黄/右绿
C:左绿/右黄 D:左绿橙/右黄

- 0: 无外壳 无灯
- 1: 无外壳 带灯
- 2: 有外壳 带灯带EMI
- 3: 有外壳 带灯无EMI
- 4: 有外壳 无灯带EMI
- 5: 有外壳 无灯无EMI

COLOR(颜色)
1.BLACK(黑色)
2.GRAY(灰色)
3.BLUE(蓝色)
4.YELLOW(114C黄)
5.WHITE(白色)

Material
材质

- A: PBT
- B: PA66
- C: PA9T

DETACHED LISTS	MM (INCH)		绘图 (Designed) MIN-D 2020-05-22
	公差 TOLERANCES		审核 (Checked)
	MM ∅.0 ± 0.20 .00 ± 0.15 0.00 ± 0.075	MM .0 ± 0.38 .00 ± 0.25 .000 ± 0.15	批准 (Approved)
	角度 (ANGLES) ± 1.5°		材料 (Material) SEE NOTES
	 第三角视图		比例 (SCALE) 1:1

XWJ 东莞市欣旺久电子有限公司
XIN WANG JIU Electronics Co.,Ltd

系列 (SERIES) RJ 名称 (NAME) XWJ-5J 8P8C 1X2 全包 无灯无弹

图号 (DWG NO.):
料号 (PART NO): 5J-XX88XXX5-A
单位 (UNIT): MM 共 (SHEET) 1 页 第 (OF) 1 页

版本 REV. A0